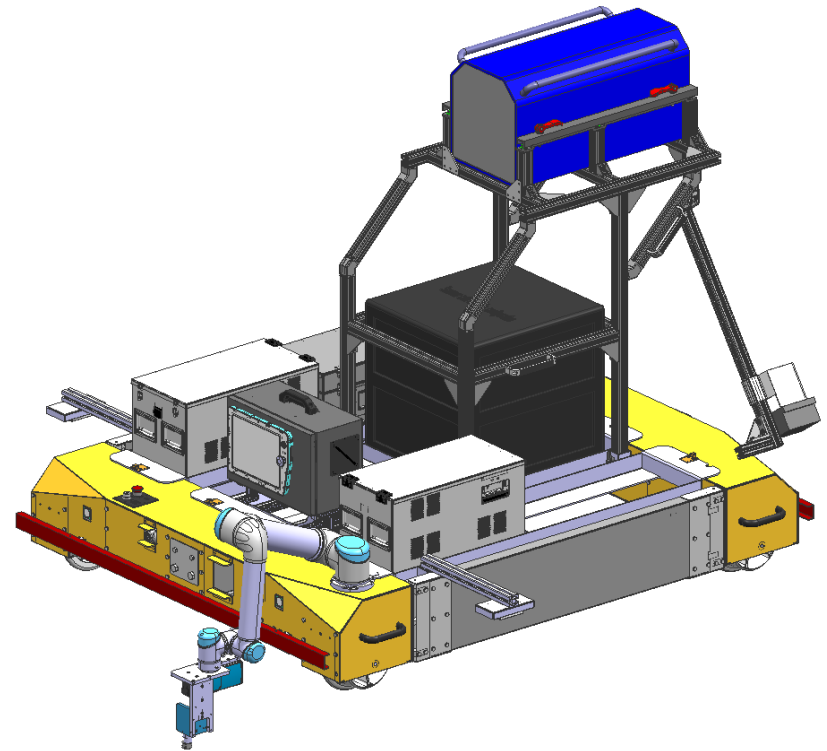
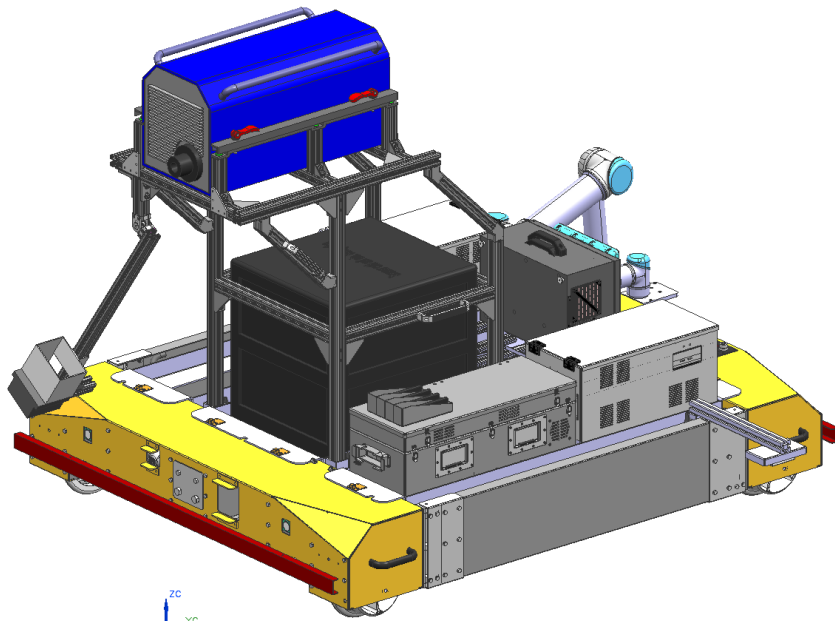
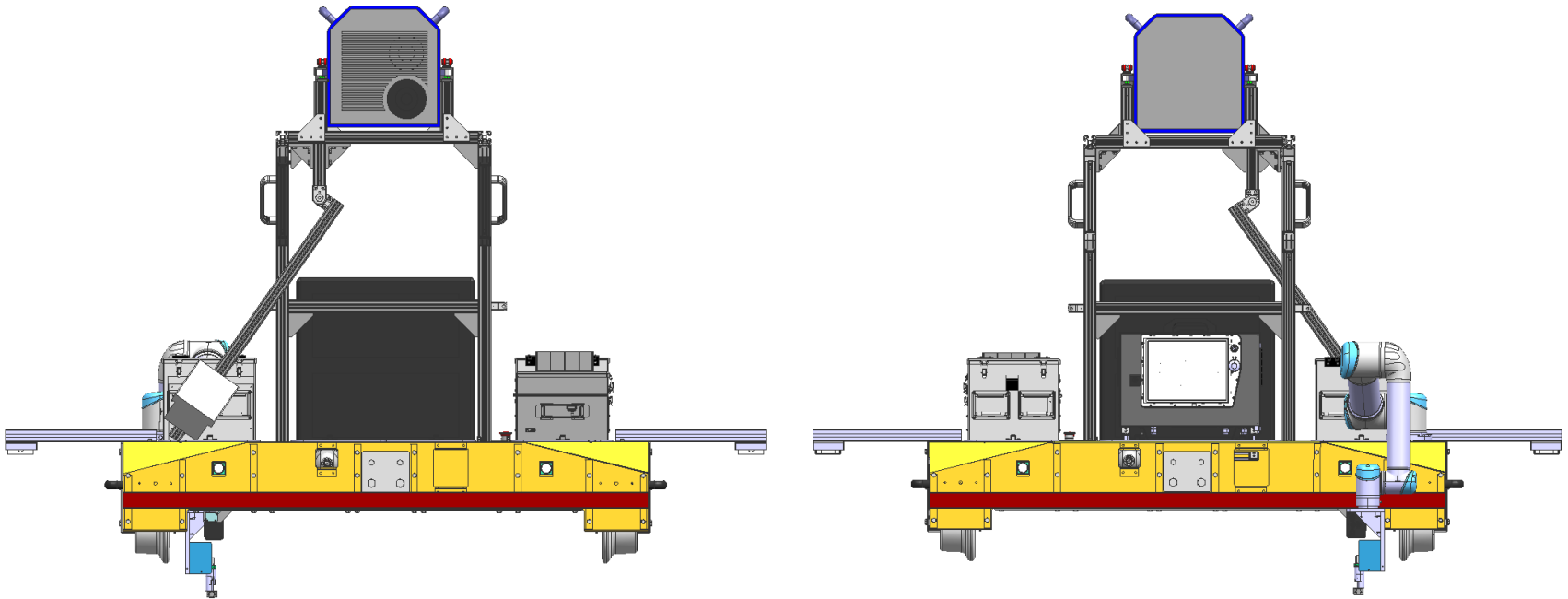


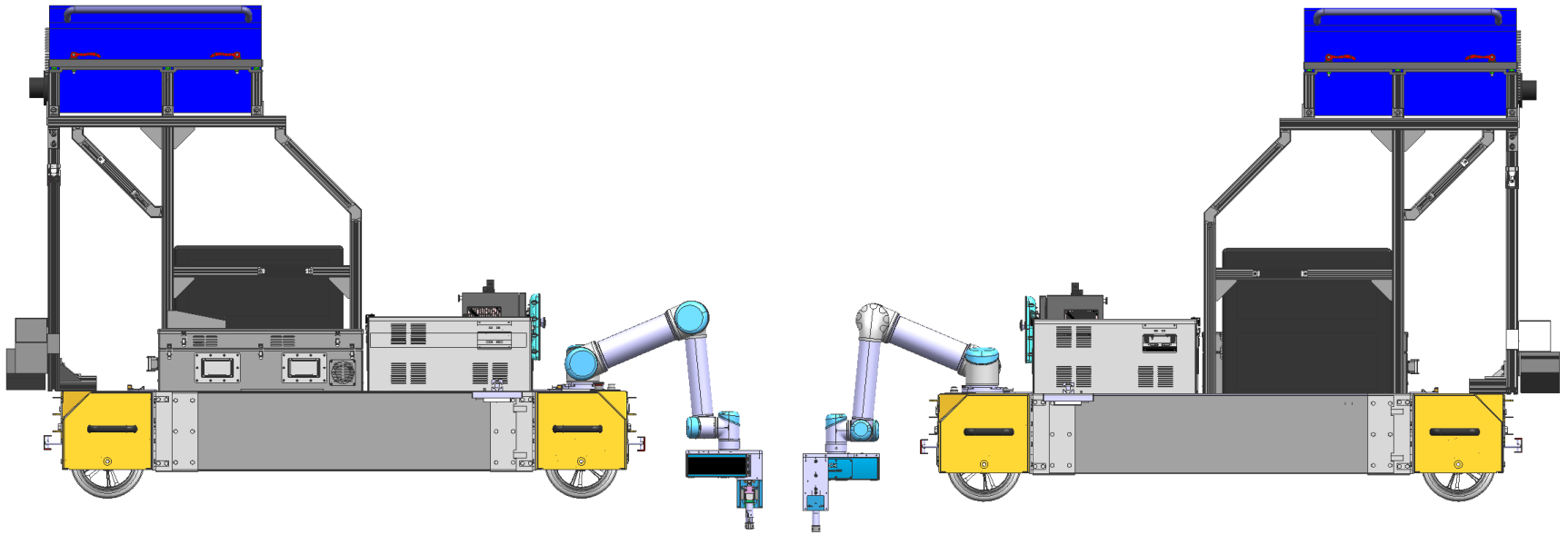
# Isometric View



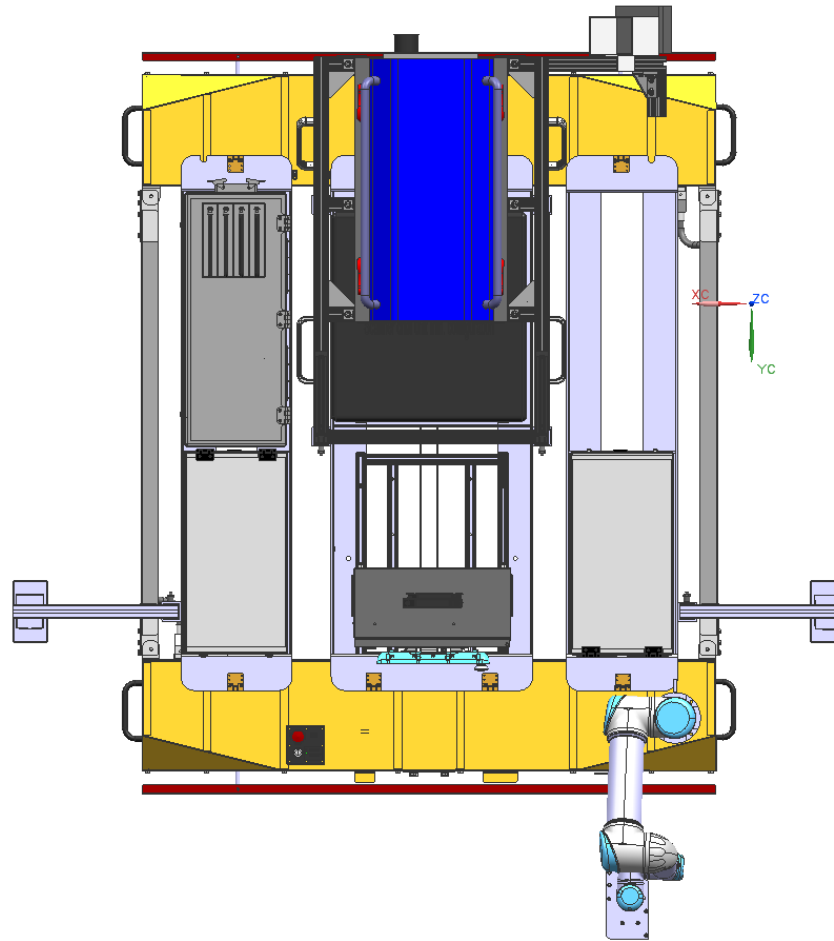
# Front & Rear



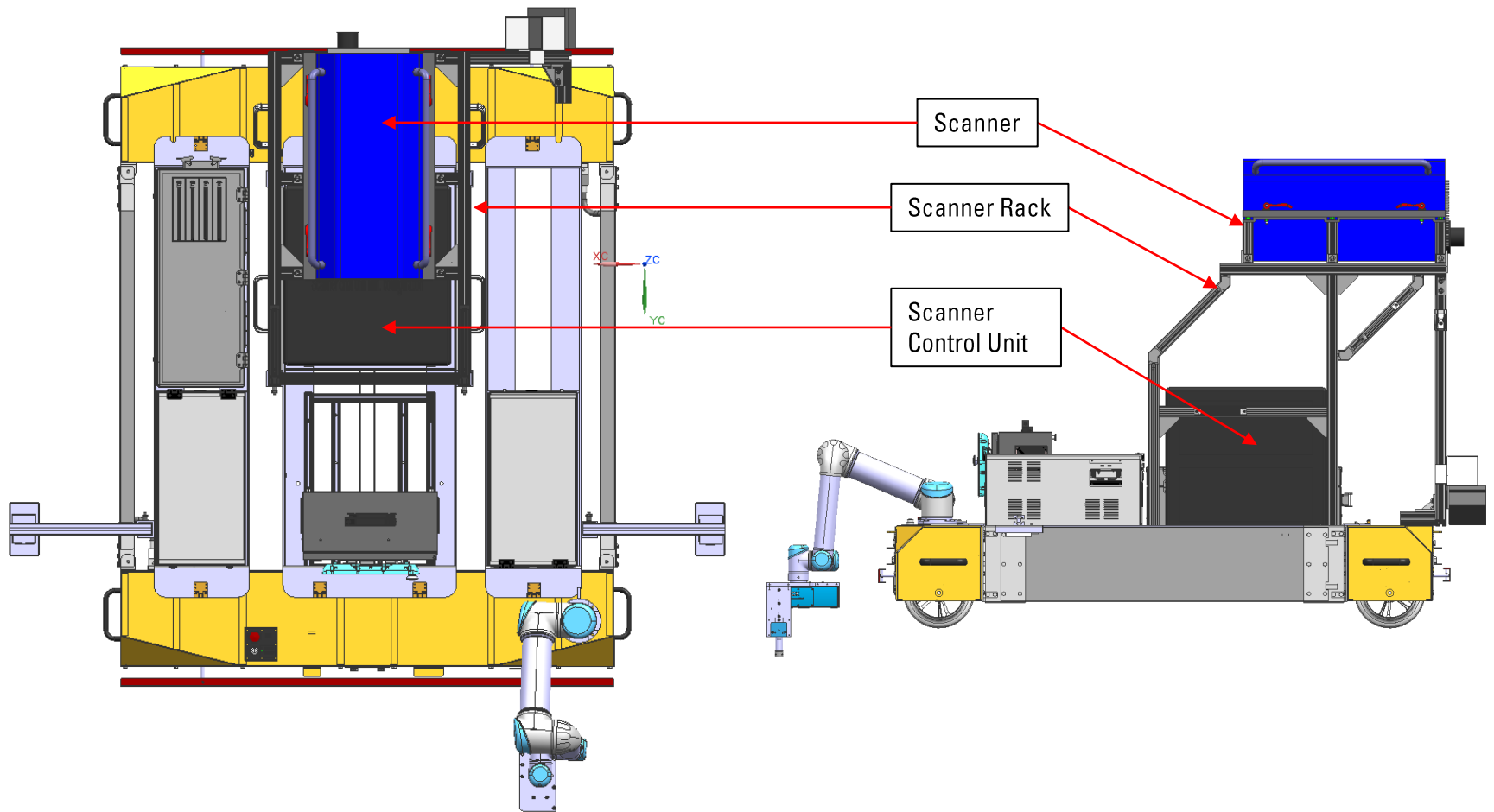
# Side Views



# Plan View



# Tunnel Scan Configuration



# Bolt Scan Configuration

